

REMOTE ANNUNCIATOR



- 12 or 24 alarm circuits
- Available for 12 or 24 VDC systems
- “Automatic Ringback” feature
- Solid-state visual (LED) and audible indicators
- Audible alarm silence pushbutton
- Test pushbutton
- Internal isolation allows multiple annunciators on one system
- Quality Assurance Standard ISO 9001

The **EAP 1624** annunciator is designed to provide visual and audible alarm indications. Each alarm point is individually controlled by a separate remote contact. Energizing any of the alarm points will cause the audible alarm to sound (alarm points 1 to 4 are individually selectable to defeat the audible alarm if desired). The automatic ringback feature allows the audible alarm to sound for a subsequent fault even if it has already been silenced for a previous fault. The legend card which identifies the LED indicators is easily replaceable, and greatly simplifies field modifications. A test pushbutton is provided to allow the operator to verify operation of all LEDs. It also activates the audible alarm, and allows confirmation of operation of the silence function.

MODEL CODE

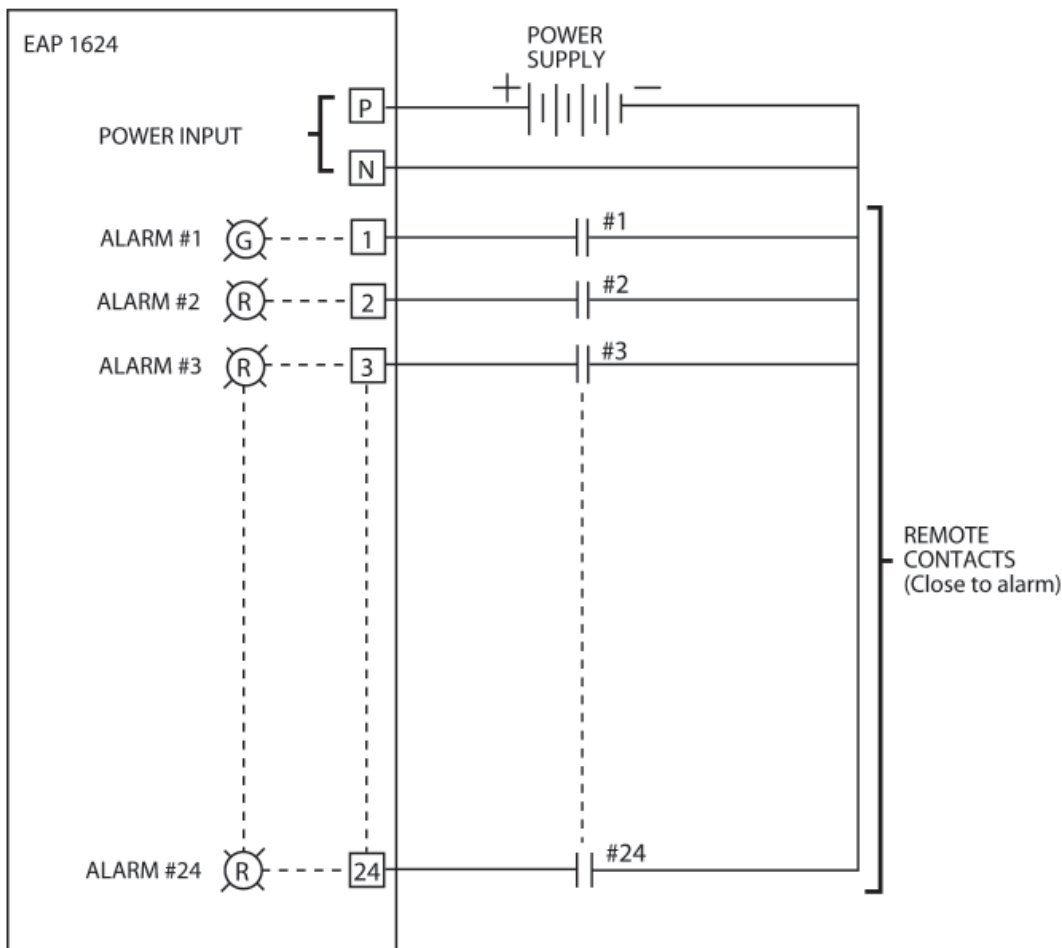
	12 ALARM CIRCUITS	24 ALARM CIRCUITS
FLUSH MOUNT	EAP 1624F12	EAP 1624F24

Add suffix “X” if any non-standard features are present (note standard LED colors overleaf)

SPECIFICATIONS

SUPPLY VOLTAGE	12 or 24 Vdc nominal (± 25%)
SUPPLY CURRENT	Not exceeding 2 amps
DC FUSE	3 amp, mounted internally
LED COLOUR	Circuit 1: Green Circuit 2 - 24: Red } other colors optional
AUDIBLE DEFEAT	Circuits 1 - 4 may be switched off for indication of non-abnormal status (eg "Automatic Mode")
DUTY CYCLE	Maximum 10 circuits continuously energized
TEMPERATURE RANGE	0 - 40° C (32 - 104° F) operating
REMOTE CONTACTS REQUIRED	Minimum 200 mA @ 28 Vdc, close to alarm
DIMENSIONS	7" W x 11" H x 2" D (Door cutout hole required - 6" W x 10" H)
KNOCKOUTS	Two 7/8" diameter, one top and one bottom

EXTERNAL CONNECTIONS



NOTE: Specifications subject to change without notice.

CL 016 REV 3 01/09/15

6266Z-SK-7/08-2k-TP

THOMSON TECHNOLOGY INC. • 9087A - 198th STREET, LANGLEY, BC CANADA V1M 3B1

TELEPHONE: (604) 888-0110 • FAX: (604) 888-3381 • E-MAIL: info@thomsontechnology.com • www.thomsontechnology.com

